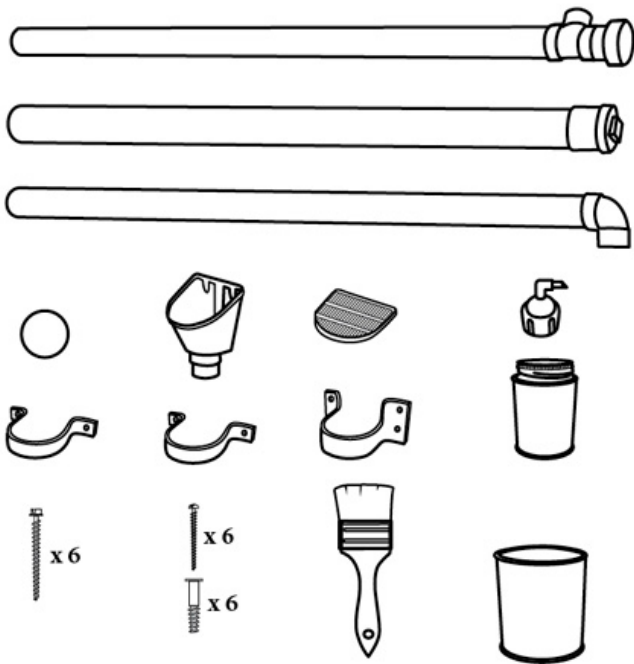


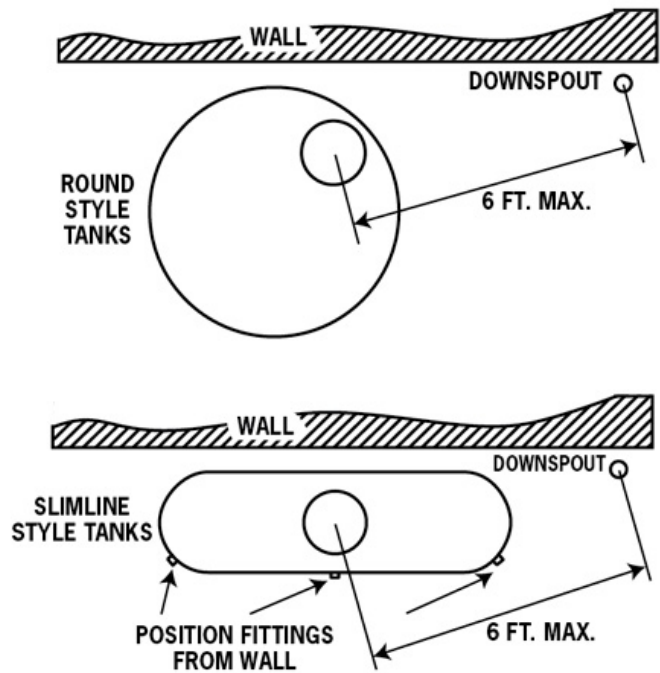
## STEP 1

### VERIFY BOX CONTENTS



## STEP 2

### LEVEL YOUR GRADE & ORIENT THE TANK



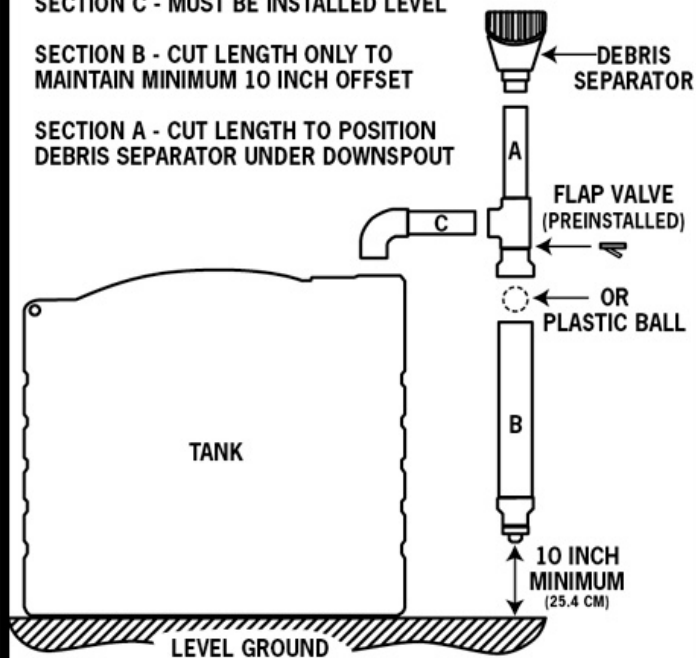
## STEP 3

### LAYOUT YOUR DIVERTER KIT ASSEMBLY

SECTION C - MUST BE INSTALLED LEVEL

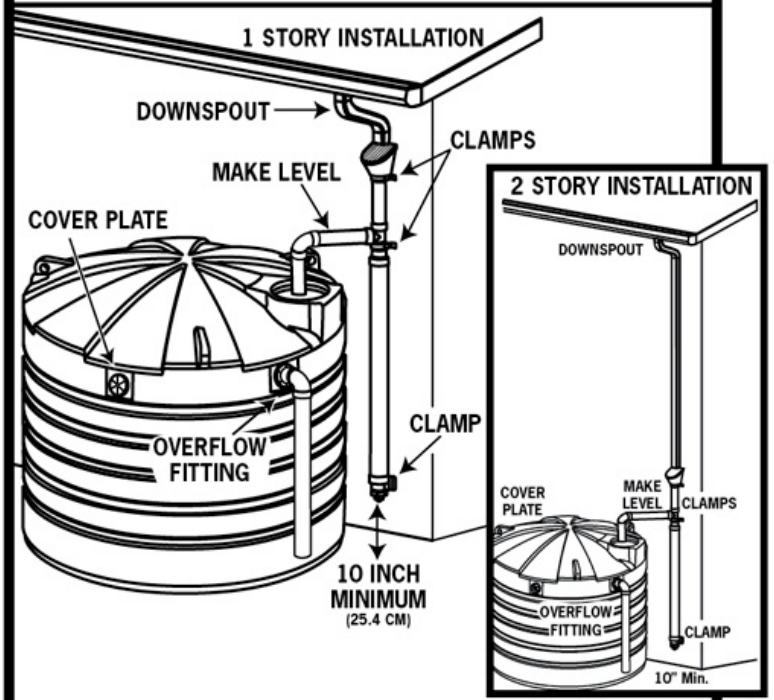
SECTION B - CUT LENGTH ONLY TO MAINTAIN MINIMUM 10 INCH OFFSET

SECTION A - CUT LENGTH TO POSITION DEBRIS SEPARATOR UNDER DOWNSPOUT



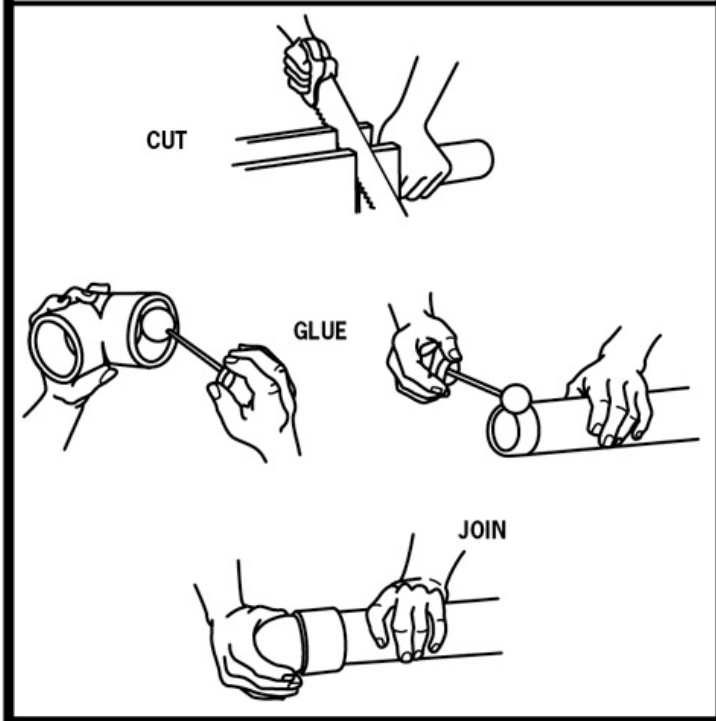
## STEP 4

### SELECT THE KIT APPLICATION FOR YOUR ELEVATION



## STEP 5

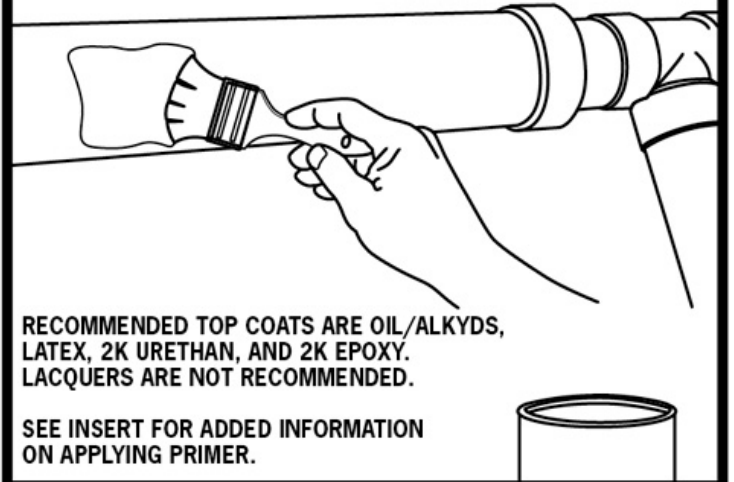
### CUT / GLUE / AND JOIN



## STEP 6

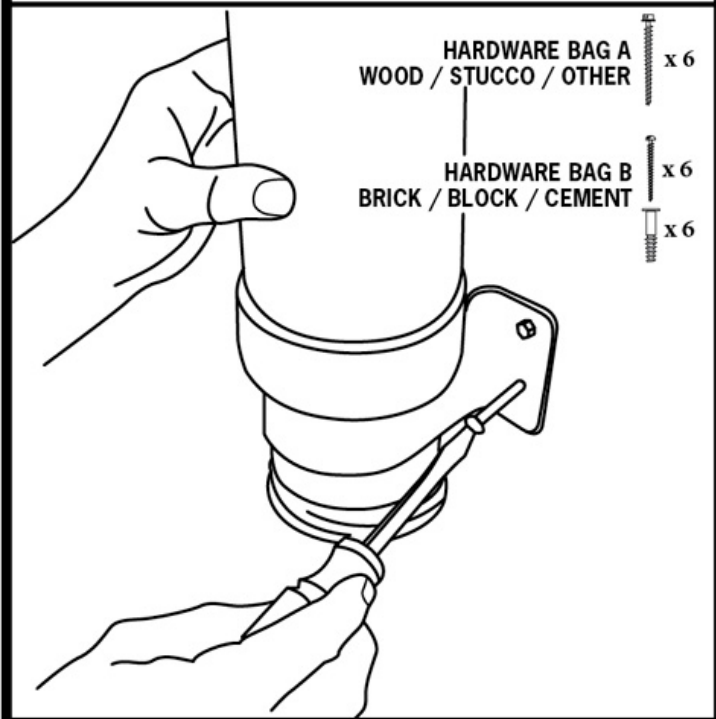
### PRIME THE ASSEMBLY BEFORE APPLYING COLORED TOPCOAT

## BUSHMAN WORKBENCH



## STEP 7

### MOUNT THE ASSEMBLY USING YOUR CLAMPS & HARDWARE



## STEP 8

### LOCATE AND SELECT PORT LOCATIONS

