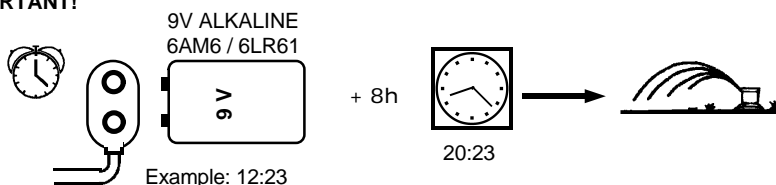


START-UP

IMPORTANT!



The first watering will start 8 hours after the battery is connected.

- Open the battery compartment (A). Install a new, high quality 9V alkaline battery (Duracell, Energizer, etc.). The battery snap should be in an upright position. Close the battery compartment.
- Turn off the water supply and install the valve in the valve box. Use only with Rain Bird valves: DV, PGA, PEB, PES-B.
- Hand screw the latching solenoid (B). EASY RAIN can now be fitted over the solenoid.
- Maximum operating pressure : 100 PSI (7 bars)

PROGRAMMING

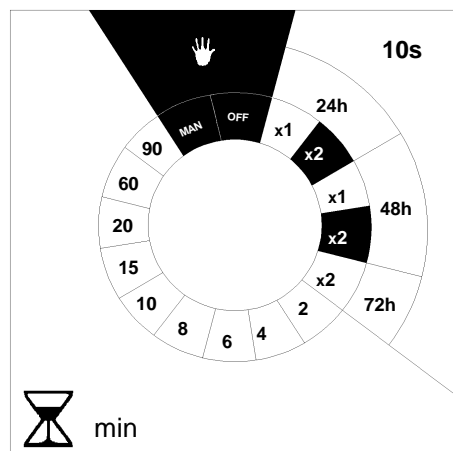
1. Select calendar (cycle):

Turn the key (C) to 1 of the 5 positions:

- 1 watering every 24 hours
- 2 waterings every 24 hours
- 1 watering every 48 hours
- 2 waterings every 48 hours
- 2 waterings every 72 hours

and leave it in that position for 10 seconds to validate your selection.

If you select a frequency of 2 waterings (x 2), the soak time between waterings is 30 min. To change the calendar, repeat step 1.



2. Select run time.

Set the key on 1 of the 9 positions (2 min, 4 min, 6 min, 8 min, 10 min, 15 min, 20 min, 60 min, 90 min) to validate the run time.

Default program: If you validate your irrigation run time without validating the calendar (cycle) selection, EASY RAIN will water once a day on a daily basis for the selected run time.

Example:

You connect the battery at 8h00, validate a calendar setting of 2 x 48, and set the key on 10 min:

- day 1: 16h00 à 16h10 => watering
16h10 à 16h40 => soak time
16h40 à 16h50 => watering
- day 2: no watering
- day 3: same as day 1

3. Manual functions.

Manual start: Place the key on "MAN". Irrigation will start immediately. To stop watering, move the key to the run time position selected in step 2.

OFF mode: To place EASY RAIN on standby (rainy weather shut-off), move the key to "OFF". This will stop any irrigation currently in operation and prevent programmed starts. However, the program (start time and calendar) remains unchanged. To return to your previously programmed automatic watering schedule, set the key to the selected run time.

Vandal resistance: After you have finished programming, you can remove the key and insert the protective cover (D).

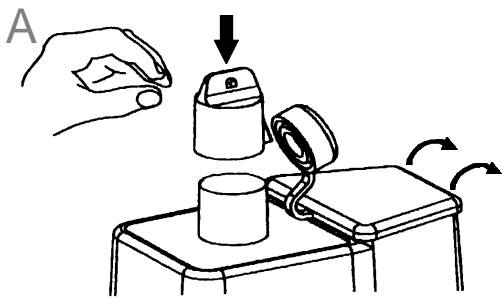
Note : To change the start time, first remove the battery. Then create a short circuit by holding a metal object across the battery connector snaps for 10 seconds. If you do not have a metal object, just wait 2 minutes before replacing the battery. Do not forget that the first watering will start 8 hours after the battery is connected!

CERTIFICATE OF CONFORMITY TO EUROPEAN DIRECTIVES

I declare that the EASY RAIN device, an irrigation controller, conforms to the European Directives 89/336/CEE and 93/31/CEE concerning electromagnetic compatibility.

The EASY RAIN type device is battery powered.

Aix en Provence, 26/04/96
General Manager
RAIN BIRD EUROPE
Signature



Use only with RAIN BIRD valves: DV, PGA, PEB, PES-B series Maximum operating pressure: 7 bars / 100 psi

START-UP (see diagrams)

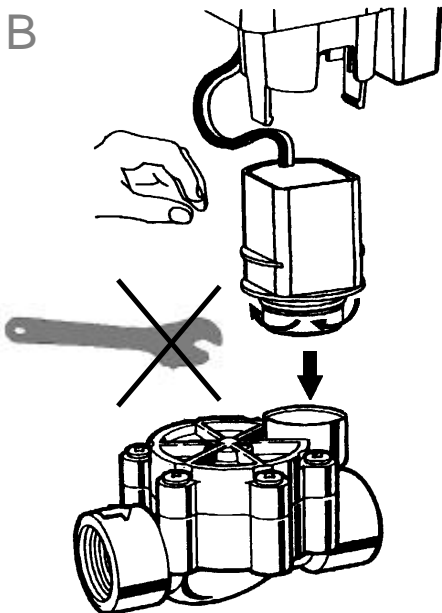
- A. Open the battery compartment and remove the programming key. Place it on the knob.
- B. Hand screw the latching solenoid onto the valve. After programming, (see below) the EASY RAIN unit can be fitted over the solenoid.

PROGRAMMING (see diagrams)

1. Select start time

Before installing a 9V alkaline battery, place the knob on the square corresponding to the number of hours when the first irrigation start should take place (after battery hook-up).

Example: It is 22:00 (10 PM). You want the first irrigation start to always take place 4 hours later at 02:00 (2 AM). Set the knob on +4. Now install a new, high quality 9V alkaline battery (Duracell, Energizer, etc). The battery snap should be in an upright position. Close the battery compartment.



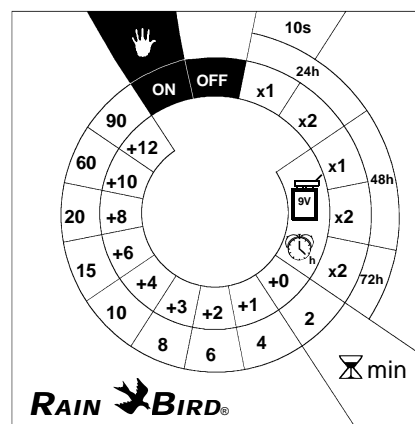
IMPORTANT: If you have not set the knob on one of the "+" squares before installing the battery, the default program will start irrigation 1 minute after you hook up the battery. Setting the knob at "+0" will obtain the same result.

2. Select calendar (cycle):

Turn the knob to 1 of the 5 positions:

- 1 watering every 24 hours
- 2 waterings every 24 hours
- 1 watering every 48 hours
- 2 waterings every 48 hours
- 2 waterings every 72 hours

and leave it in that position for 10 seconds to validate your selection. If you select a frequency of 2 waterings (x 2), the soak time between waterings is 2 hours. To change the calendar, repeat step 2.



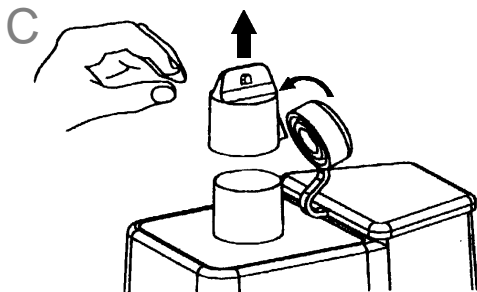
3. Select run time:

Set the knob on 1 of the 9 positions (2 min, 4 min, 6 min, 8 min, 10 min, 15 min, 20 min, 60 min, 90 min) to select the run time.

Default program: If you leave the knob on 1 of the 9 positions without having validated the calendar (cycle) selection (step 2), EASY RAIN will water once a day on a daily basis for the selected run time.

Example: You set the knob on +3, install the battery at 16:00 (4 PM), validate a calendar setting of 2 x 48, and then set the knob on 10 min.

- day 1: 19 h 00 to 19 h 10 (7:10 PM) watering
 19 h 10 to 21 h 10 (7:10 PM to 9:10 PM) soak time
 21 h 10 to 21 h 20 (9:10 PM to 9:20 PM) watering
- day 2: no watering
- day 3: same as day 1



4. OFF mode:

To place EASY RAIN on standby (rainy weather shut-off), move the knob to "OFF". This will stop any irrigation currently in operation and prevent programmed starts. However, the program (start time and calendar) remains unchanged. To return to your previously programmed automatic watering schedule, set the knob to the run time selected in step 3.

5. Manual start: Place the knob on "ON". Irrigation will start in 10 seconds. To stop watering, move the knob to the run time position selected in step 3.

Note: To change the start time, first remove the battery and wait for 2 minutes. Then repeat the programming steps starting with step 1.

Important: After programming, remove the key to prevent tampering. Place the cap over the knob. (Diagram C)

CERTIFICATE OF CONFORMITY TO EUROPEAN DIRECTIVES

I declare that the EASY RAIN device, an irrigation controller, conforms to the European Directives 89/336/CEE and 93/31/CEE concerning electromagnetic compatibility.

The EASY RAIN type device is battery powered.

Aix en Provence, 07/01/97
 General Manager
 RAIN BIRD EUROPE
 Signature